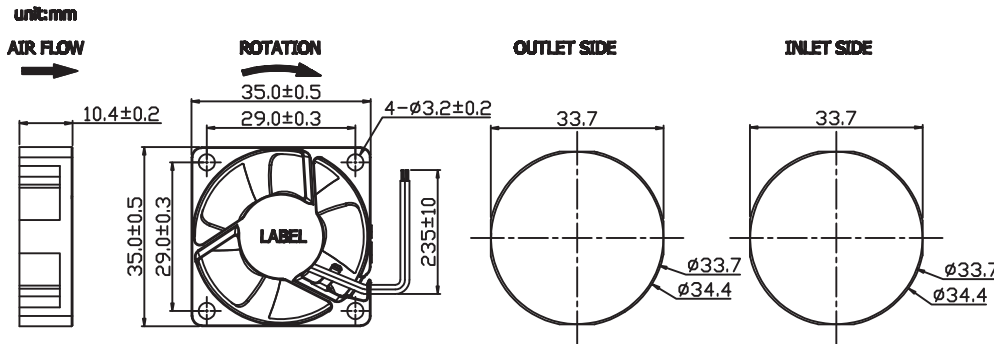
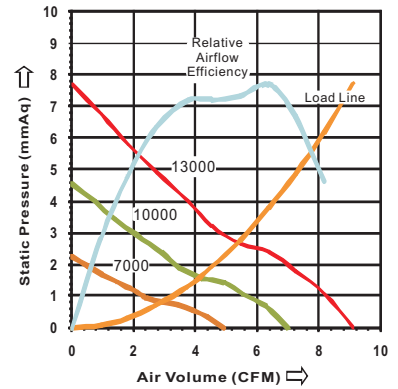


35x35x10mm (1.38x1.38x0.39in) - 5 blade



Bearing System— 2 Ball Bearing,
 Life Expectancy— 100000hrs @ 10000RPM @ 30° C
 Frame----- Thermoplastic PBT+30% GF, UL94-V0
 Impeller----- Thermoplastic PBT+15% GF, UL94-V0
 Lead Wire----- UL 1061, AWG 28, 235±10mm, Red(+), Black(-)
 Protection----- Locked rotor protection
 IP Grade ----- IP51, IP54, IP56

RoHS



Dim: 464x438x202mm
 N.W.: 8.0 kgs
 G.W.: 10.4 kgs
 Q'TY: 800pcs


 IATF16949:2016
 ISO 9001:2015
 ISO 14001:2015

FUNCTIONS	PART NUMBER	RATED (VDC)	LABEL CURRENT	ACTUAL CURRENT	POWER (WATTS)	SPEED (RPM)	AIRFLOW (CFM)(m³/min)	PRESSURE (mmAq)(In H²O)	NOISE (dBA)	WEIGHT (Q'TY/CTN)
	D3510AM05BPLBxy-5	05	0.280	0.220	1.10	10000	7.01 0.20	4.55 0.18	33.80	10g
	D3510AL05BPLBxy-5	(4.5~5.5)	0.130	0.110	0.55	7000	4.91 0.14	2.23 0.09	25.60	(800pcs)
1b:AS 2a:FG 2b:RD	D3510AH12BPLBxy-5	12	0.160	0.140	1.68	13000	9.11 0.26	7.70 0.30	40.10	10g
	D3510AM12BPLBxy-5	(07~14)	0.120	0.085	1.02	10000	7.01 0.20	4.55 0.18	33.80	(800pcs)
	D3510AL12BPLBxy-5		0.060	0.045	0.54	7000	4.91 0.14	2.23 0.09	25.60	
	D3510AH24BPLBxy-5	24 (15~27)	0.120	0.080	1.92	13000	9.11 0.26	7.70 0.30	40.10	(800pcs)

Remark:

- Part no. suffix: "xy"=Function detail or "x"=Function number. and "y"=customer ID
- D series - High Performance series:
 Uses single coil differential type drive with higher efficiency and more functions (depending on the specific model).