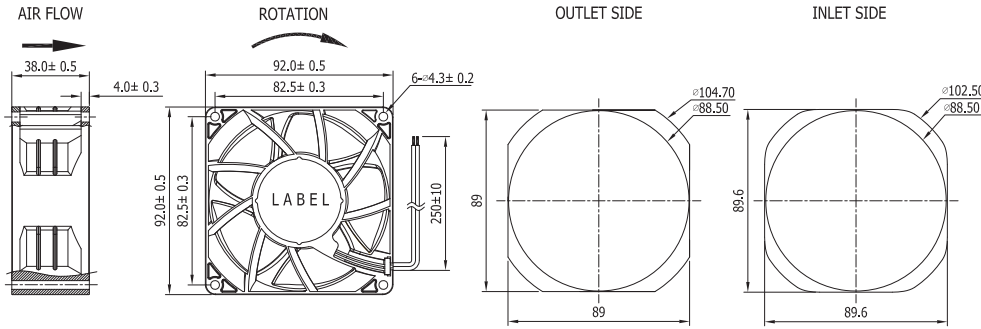
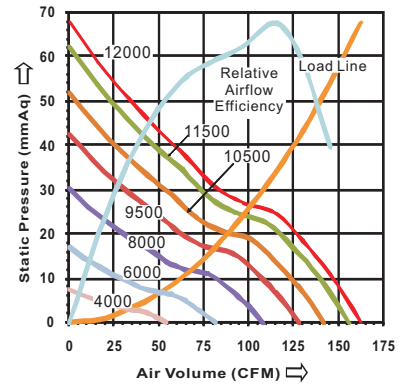


92x92x38mm (3.62x3.62x1.50in) - 5 blade



Bearing System— 2 Ball Bearing
 Life Expectancy— Ball 70000hrs @ 10000RPM @ 30°C
 Frame----- Thermoplastic PBT+30% GF, UL94-V0
 Impeller----- Thermoplastic PBT+15% GF, UL94-V0
 Lead Wire----- UL 1061, AWG 22, 250±10mm, Red(+), Black(-)
 Protection----- Locked rotor protection
 IP Grade ----- IP51, IP54, IP56, IP67, IP68

RoHS



Dim: 553x339x245 mm
 N.W.: 13.8 kgs
 G.W.: 15.3 kgs
 Q'TY: 60 pcs

TÜV CERT
 IATF16949:2016
 ISO 9001:2015
 ISO 14001:2015

FUNCTIONS	PART NUMBER	RATED (VDC)	LABEL CURRENT	ACTUAL CURRENT	POWER (WATTS)	SPEED (RPM)	AIRFLOW (CFM)(m³/min)	PRESSURE (mmAq)(In H²O)	NOISE (dBA)	WEIGHT (Q'TY/CTN)
1a:IR 1b:AS 2a:FG 2b:RD 2d:LD 3a:VPWM 3c:PPWM 7a:CS	K9238AZ12BPLBxy-5	12 (08~13.2)	4.000	2.700	32.40	11500	155.92 4.42	62.06 2.44	67.30	230g (60pcs)
	K9238AY12BPLBxy-5		2.500	2.150	25.80	10500	142.36 4.03	51.74 2.04	65.00	
	K9238AX12BPLBxy-5		1.900	1.560	18.72	9500	128.80 3.65	42.35 1.67	60.80	
	K9238AH12BPLBxy-5		1.400	1.150	13.80	8000	108.46 3.07	30.04 1.18	57.40	
	K9238AM12BPLBxy-5		0.800	0.570	6.84	6000	81.35 2.30	16.89 0.67	49.60	
	K9238AL12BPLBxy-5	0.400	0.250	3.00	4000	54.23 1.54	7.51 0.30	38.40		
	K9238AZ24BPLBxy-5	24 (15~26.4)	1.500	1.380	33.12	12000	162.69 4.61	67.58 2.66	68.20	230g (60pcs)
	K9238AY24BPLBxy-5		1.200	1.000	24.00	10500	142.36 4.03	51.74 2.04	65.00	
	K9238AX24BPLBxy-5		0.900	0.770	18.48	9500	128.80 3.65	42.35 1.67	60.80	
	K9238AH24BPLBxy-5		0.600	0.480	11.52	8000	108.46 3.07	30.04 1.18	57.40	
K9238AM24BPLBxy-5	0.400		0.260	6.24	6000	81.35 2.30	16.89 0.67	49.60		
K9238AL24BPLBxy-5	0.200	0.125	3.00	4000	54.23 1.54	7.51 0.30	38.40			
K9238AZ48BPLBxy-5 K9238AY48BPLBxy-5 K9238AX48BPLBxy-5 K9238AH48BPLBxy-5 K9238AM48BPLBxy-5 K9238AL48BPLBxy-5	48 (36~57)	0.800	0.690	33.12	12000	162.69 4.61	67.58 2.66	68.20	230 (60pcs)	
		0.600	0.490	23.52	10500	142.36 4.03	51.74 2.04	65.00		
		0.500	0.395	18.96	9500	128.80 3.65	42.35 1.67	60.80		
		0.300	0.260	12.48	8000	108.46 3.07	30.04 1.18	57.40		
		0.180	0.140	6.72	6000	81.35 2.30	16.89 0.67	49.60		
0.100	0.070	3.36	4000	54.23 1.54	7.51 0.30	38.40				

Remark:

- Part no. suffix: "xy"=Function detail or "x"=Function number. and "y"=customer ID
- K series - Multifunction Extra High Performance series:
 Uses a single coil differential type drive with the highest efficiency and maximum airflow performance with the complete line of functions and with Airflow and Pressure higher than the P series.