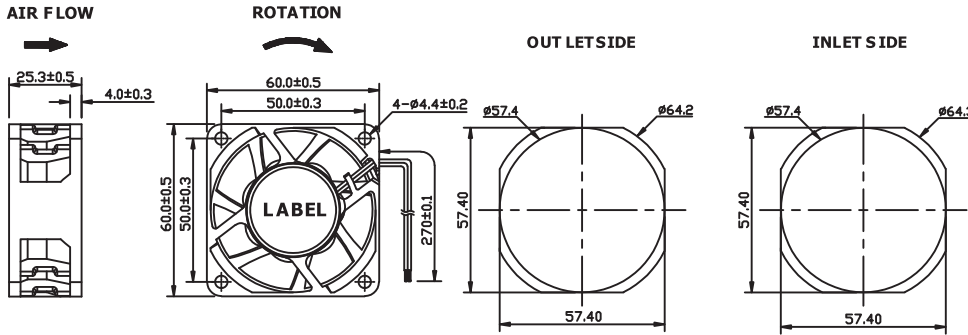
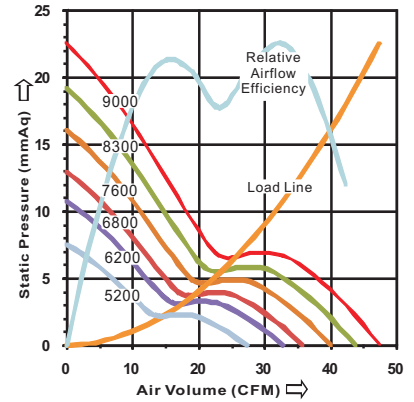


60x60x25mm (2.36x2.36x0.98in) - 7 blade



Bearing System— 2 Ball Bearing
 Life Expectancy— Ball 70000hrs @ 6000RPM @ 30°C
 Frame----- Thermoplastic PBT+30% GF, UL94-V0
 Impeller----- Thermoplastic PBT+15% GF, UL94-V0
 Lead Wire----- UL 1007, AWG 24, 270±10mm, Red(+), Black(-)
 Protection----- Locked rotor protection
 IP Grade ----- IP51, IP54, IP56, IP67



Dim: 525x340x331 mm
 N.W.: 14.9 kgs
 G.W.: 18.0 kgs
 Q'TY: 224 pcs



FUNCTIONS	PART NUMBER	RATED (VDC)	LABEL CURRENT	ACTUAL CURRENT	POWER (WATTS)	SPEED (RPM)	AIRFLOW (CFM)(m³/min)	PRESSURE (mmAq)(In H²O)	NOISE (dBA)	WEIGHT (Q'TY/CTN)
1b:AS	C6026H12BPLPxy-7	12	0.460	0.430	5.16	6800	35.81 1.01	12.87 0.51	46.40	66.8g (224pcs)
1b:AS 2a:FG	C6026M12BPLPxy-7	(07~14)	0.440	0.400	4.80	6200	32.65 0.93	10.70 0.42	44.60	
2b:RD 2c:RDb	C6026L12BPLPxy-7		0.260	0.240	2.88	5200	27.39 0.78	7.53 0.30	41.20	
1b:AS	C6026H24BPLPxy-7	24	0.260	0.240	5.76	6800	35.81 1.01	12.87 0.51	46.40	66.8g (224pcs)
1b:AS 2a:FG	C6026M24BPLPxy-7	(15~27)	0.230	0.220	5.28	6200	32.65 0.93	10.70 0.42	44.60	
2b:RD 2c:RDb	C6026L24BPLPxy-7		0.150	0.130	3.12	5200	27.39 0.78	7.53 0.30	41.20	
1a:IR 1b:AS 2a:FG 2b:RD 2c:RDb 2d:LD 3a:VPWM 3b:IPWM 3c:PPWM 5a:TPWM 5b:RPWM 6:CL 7a:CS	D6026Z12BPLBxy-7	12 (07~13.2)	0.920	0.850	10.20	9000	47.40 1.34	22.55 0.89	54.10	66.8g (224pcs)
	D6026Y12BPLBxy-7		0.720	0.650	7.80	8300	43.71 1.24	19.18 0.76	51.10	
	D6026X12BPLBxy-7		0.480	0.430	5.16	7600	40.03 1.13	16.08 0.63	49.80	
	D6026H12BPLPxy-7	12 (07~14)	0.460	0.380	4.56	6800	35.81 1.01	12.87 0.51	46.40	
	D6026M12BPLPxy-7		0.440	0.300	3.60	6200	32.65 0.93	10.70 0.42	44.60	
	D6026L12BPLPxy-7		0.260	0.200	2.40	5200	27.39 0.78	7.53 0.30	41.20	
D6026Z24BPLBxy-7	24 (15~26.4)	0.480	0.450	10.80	9000	47.40 1.34	22.55 0.89	54.10		
D6026Y24BPLBxy-7		0.380	0.350	8.40	8300	43.71 1.24	19.18 0.76	51.10		
D6026X24BPLBxy-7		0.320	0.280	6.72	7600	40.03 1.13	16.08 0.63	49.80		
D6026H24BPLPxy-7	24 (15~27)	0.260	0.190	4.56	6800	35.81 1.01	12.87 0.51	46.40		
D6026M24BPLPxy-7		0.230	0.155	3.72	6200	32.65 0.93	10.70 0.42	44.60		
D6026L24BPLPxy-7		0.150	0.105	2.52	5200	27.39 0.78	7.53 0.30	41.20		
D6026Z48BPLBxy-7	48 (36~57)	0.265	0.235	11.28	9000	47.40 1.34	22.55 0.89	54.10		
D6026Y48BPLBxy-7		0.220	0.182	8.74	8300	43.71 1.24	19.18 0.76	51.10		
D6026X48BPLBxy-7		0.150	0.135	6.48	7600	40.03 1.13	16.08 0.63	49.80		
D6026H48BPLPxy-7		0.110	0.098	4.70	6800	35.81 1.01	12.87 0.51	46.40		
D6026M48BPLPxy-7		0.098	0.090	4.32	6200	32.65 0.93	10.70 0.42	44.60		
D6026L48BPLPxy-7		0.070	0.064	3.07	5200	27.39 0.78	7.53 0.30	41.20		

Remark:

- Part no. suffix: "xy"=Function detail or "x"=Function number. and "y"=customer ID
- C series - STANDARD series:
Uses a 2 coil complementary type drive offering low cost and limited functions.
- D series - High Performance series:
Uses single coil differential type drive with higher efficiency and more functions (depending on the specific model).