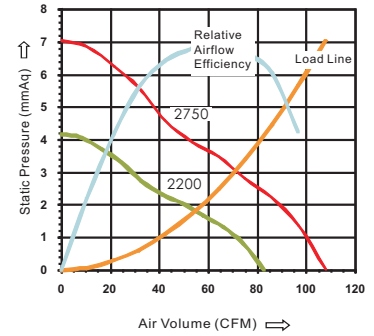
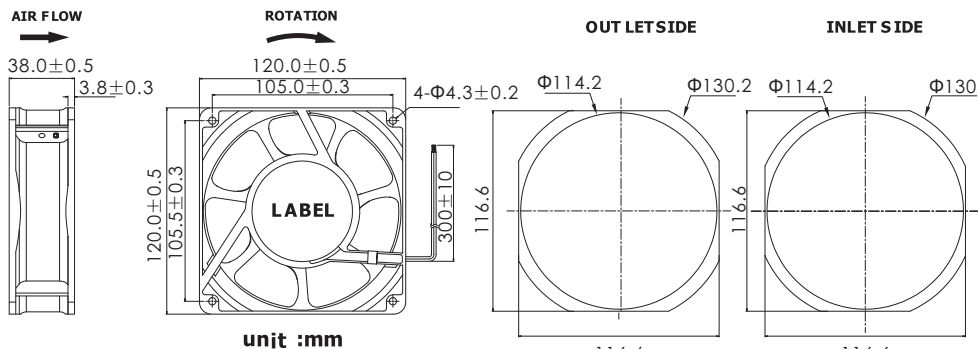
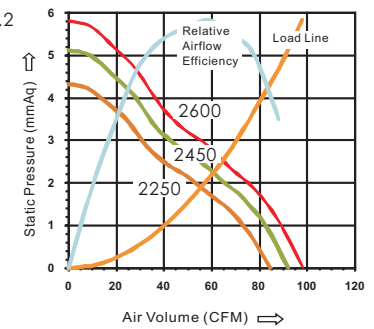


120x120x38mm (4.72x4.72x1.50in) - 7 blade


Bearing System— 2 Ball Bearing,
 Life Expectancy--- Ball 50000hrs@ 25°C
 Frame----- Aluminum
 Impeller----- Thermoplastic PBT+15% GF, UL94V-0
 Lead Wire----- UL 1007, AWG 22, 300±10mm, Black
 Protection----- Locked rotor protection
 IP Grade ----- Optional


120/60 (VAC/Hz)

230/50 (VAC/Hz)


FUNCTIONS	PART NUMBER	VOLTAGE/RANGE (VAC)	LABEL CURRENT	ACTUAL CURRENT	POWER (WATTS)	SPEED (RPM)	AIRFLOW (CFM)(m³/min)	PRESSURE (mmAq)(In H²O)	NOISE (dBA)	WEIGHT (Q'TY/CTN)
	PM1238HA1BAL-7	120/60	0.21	0.174	13.6	2750	108.06 3.06	7.03 0.28	45.0	516g (30pcs)
	PM1238MA1BAL-7	100~125	0.09	0.152	9.70	2200	83.09 2.35	4.16 0.16	37.0	
	PM1238HA2BAL-7	230/50	0.11	0.120	19.8	2600	98.20 2.78	5.81 0.23	42.5	516g (30pcs)
	PM1238MA2BAL-7	200~240	0.06	0.074	12.0	2450	92.18 2.61	5.12 0.20	41.0	
	PM1238LA2BAL-7	200~240	0.05	0.056	9.50	2250	84.66 2.39	4.32 0.17	37.5	

Dim: 500x430x155mm
 N.W.: 15.4 kgs
 G.W.: 17.8 kgs
 Q'TY: 30 pcs



IATF 16949:2016
 ISO 9001:2015
 ISO 14001:2015