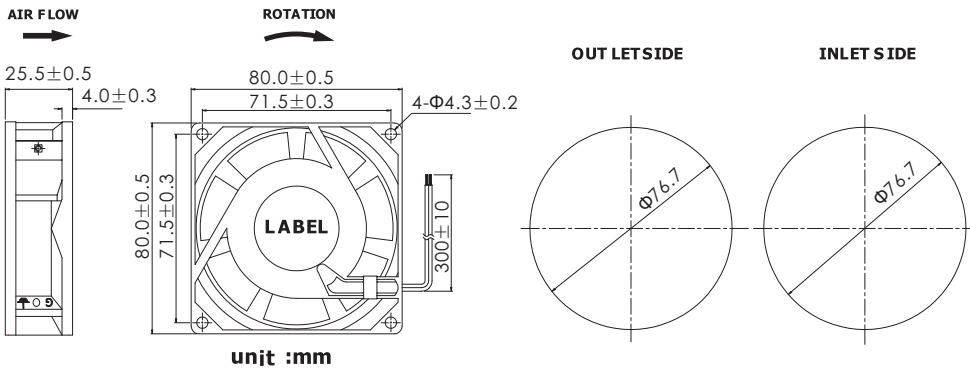
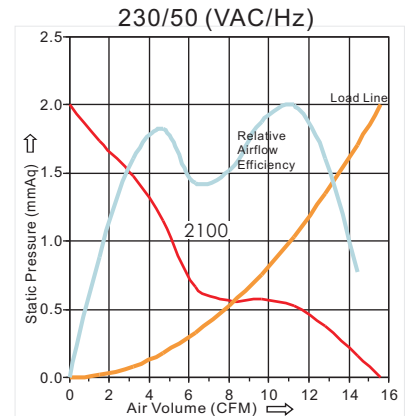
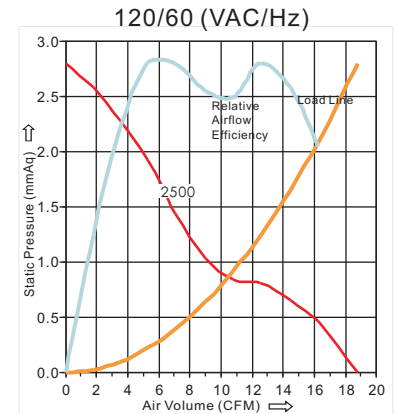


80x80x25mm (3.15x3.15x0.98in) - 7 blade


Bearing System— 2 Ball Bearing,
 Life Expectancy--- Ball 50000hrs@ 25°C
 Frame----- Aluminum
 Impeller----- Thermoplastic PBT+15% GF, UL94V-0
 Lead Wire----- UL 1007, AWG 22, 300±10mm, Black
 Protection----- Locked rotor protection
 IP Grade ----- Optional



FUNCTIONS	PART NUMBER	VOLTAGE/RANGE (VAC)	LABEL CURRENT	ACTUAL CURRENT	POWER (WATTS)	SPEED (RPM)	AIRFLOW (CFM)(m ³ /min)	PRESSURE (mmAq)(In H ² O)	NOISE (dBA)	WEIGHT (Q'TY/CTN)
	PM8025HA1BAL-7	120/60 100~125	0.11	0.069	6.80	2500	18.8 0.53	2.80 0.10	26.7	215g (40pcs)
	PM8025HA2BAL-7	230/50 200~240	0.06	0.047	9.20	2100	15.6 0.44	2.00 0.07	21.5	

Dim: 382x360x215mm
 N.W.: 8.6 kgs
 G.W.: 9.6 kgs
 Q'TY: 40 pcs



IATF16949:2016
 ISO 9001:2015
 ISO 14001:2015