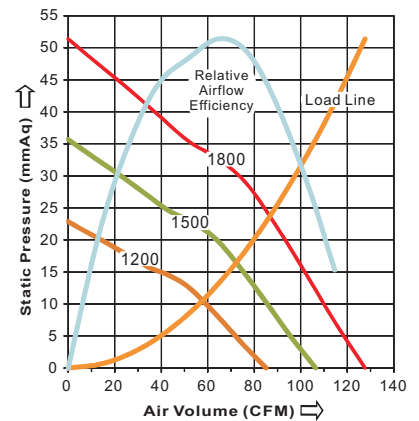
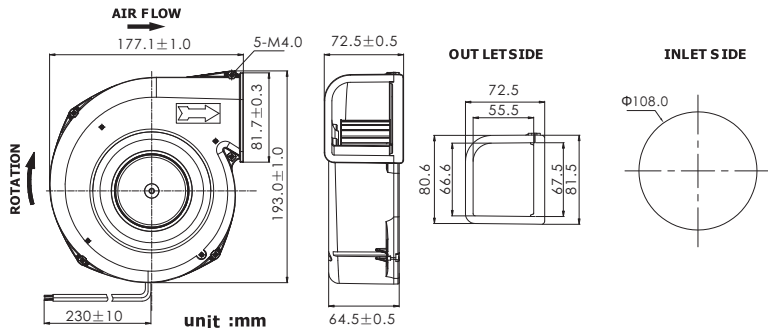


193x178x73mm (7.59x7.97x2.87in) - 38 blades


Bearing System— 2 Ball Bearing,
 Life Expectancy--- Ball 100000hrs @ 1800RPM @ 30°C
 Frame----- Aluminum
 Impeller----- Thermoplastic PBT+15% GF, UL94-V0
 Lead Wire----- UL 1007, AWG 22, 230±10mm, Red(+), Black(-)
 Protection----- Locked rotor protection
 IP Grade ----- IP51, IP54, IP56, IP67



Dim: 475x428x207mm
 N.W.: 8.3 kgs
 G.W.: 10.1 kgs
 Q'TY: 8 pcs



FUNCTIONS	PART NUMBER	RATED (VDC)	LABEL CURRENT	ACTUAL CURRENT	POWER (WATTS)	SPEED (RPM)	AIRFLOW (CFM)(m³/min)	PRESSURE (mmAq)(In H²O)	NOISE (dBA)	WEIGHT (Q'TY/CTN)
1a:IR	P1970M12BALAxy-38	12	3.120	2.400	28.80	1500	106.43 3.01	35.68 1.40	50.70	1030g
1b:AS	P1970L12BALAxy-38	(07~14)	1.430	1.100	13.20	1200	85.15 2.41	22.83 0.90	44.90	(8pcs)
2a:FG										
2b:RD										
2c:RDb	P1970H24BALAxy-38	24	2.270	1.750	42.00	1800	127.72 3.62	51.37 2.02	55.50	1030g
2d:LD	P1970M24BALAxy-38	(15~27)	1.560	1.200	28.80	1500	106.43 3.01	35.68 1.40	50.70	(8pcs)
3a:VPWM	P1970L24BALAxy-38		0.650	0.500	12.00	1200	85.15 2.41	22.83 0.90	44.90	
3b:IPWM										
3c:PPWM										
5a:TPWM	P1970H48BALAxy-38	48	1.100	0.876	42.05	1800	127.72 3.62	51.37 2.02	55.50	1030g
5b:RPWM	P1970M48BALAxy-38	(36~57)	0.780	0.610	29.28	1500	106.43 3.01	35.68 1.40	50.70	(8pcs)
6:CL	P1970L48BALAxy-38		0.320	0.254	12.19	1200	85.15 2.41	22.83 0.90	44.90	
7a:CS										

Remark:

- Part no. suffix: "xy"=Function detail or "x"=Function number. and "y"=customer ID
- P series - Multifunction Extra High Performance series:

Uses a single coil differential type drive with higher efficiency and performance, for higher power demanding applications offering the complete line of functions.