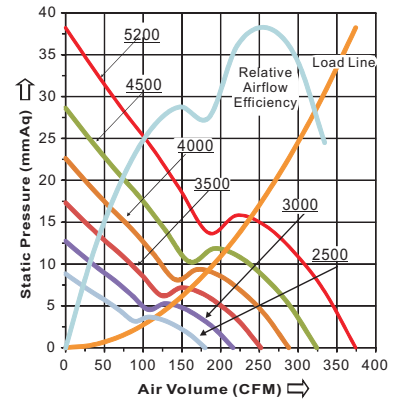
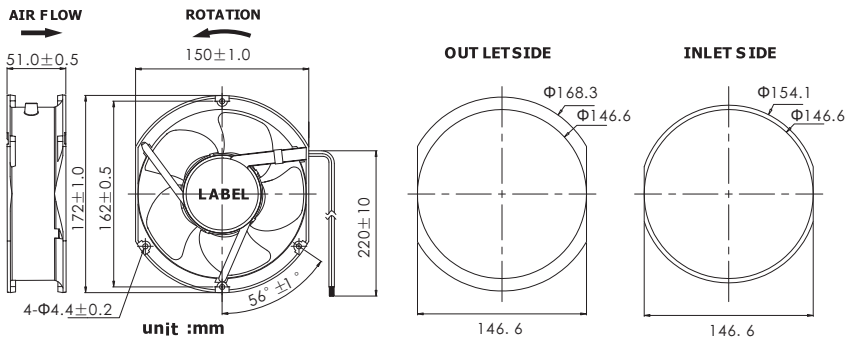


**172x150x51mm (6.77x5.91x2.00in) - 5 blade**


Bearing System— 2 Ball Bearing,  
 Life Expectancy--- Ball 100000hrs @ 4500RPM @ 30°C  
 Frame----- Aluminum  
 Impeller----- Thermoplastic PBT+15% GF, UL94-V0  
 Lead Wire----- UL 1007, AWG 22, 220±10mm, Red(+), Black(-)  
 Protection----- Locked rotor protection  
 IP Grade ----- IP51, IP54, IP56, IP67



Dim: 450x380x360mm  
 N.W.: 14.0 kgs  
 G.W.: 16.2 kgs  
 Q'TY: 20 pcs



FUNCTIONS	PART NUMBER	RATED (VDC)	LABEL CURRENT	ACTUAL CURRENT	POWER (WATTS)	SPEED (RPM)	AIRFLOW (CFM)(m³/min)	PRESSURE (mmAq)(In H²O)	NOISE (dBA)	WEIGHT (Q'TY/CTN)	
1b:AS 2a:FG 2b:RD 2c:RDdb 2d:LD 6:CL 7a:CS	G1751H12BALBxy-5	12 (07~14)	2.170	1.512	18.14	3500	251.97 7.13	17.31 0.68	57.70	750g (20pcs)	
	G1751M12BALBxy-5		1.560	0.850	10.20	3000	215.97 6.12	12.72 0.50	53.68		
	G1751L12BALBxy-5		0.670	0.540	6.48	2500	179.98 5.10	8.83 0.35	48.93		
	1b:AS 2a:FG 2b:RD 2c:RDdb 2d:LD 6:CL 7a:CS	G1751Y24BALBxy-5	24 (15~27)	2.340	1.200	28.80	4500	323.96 9.17	28.61 1.13	64.24	750g (20pcs)
		G1751X24BALBxy-5		1.430	0.834	20.02	4000	287.96 8.15	22.61 0.89	61.18	
		G1751H24BALBxy-5		0.980	0.600	14.40	3500	251.97 7.13	17.31 0.68	57.70	
		G1751M24BALBxy-5		0.630	0.420	10.08	3000	215.97 6.12	12.72 0.50	53.68	
		G1751L24BALBxy-5		0.360	0.290	6.96	2500	179.98 5.10	8.83 0.35	48.93	
		G1751Y48BALBxy-5		48 (36~57)	1.100	0.567	27.22	4500	323.96 9.17	28.61 1.13	
	G1751X48BALBxy-5	0.710	0.410		19.68	4000	287.96 8.15	22.61 0.89	61.18		
	G1751H48BALBxy-5	0.500	0.298		14.30	3500	251.97 7.13	17.31 0.68	57.70		
	G1751M48BALBxy-5	0.390	0.230		11.04	3000	215.97 6.12	12.72 0.50	53.68		
G1751L48BALBxy-5	0.200	0.164	7.87		2500	179.98 5.10	8.83 0.35	48.93			
1a:IR 1b:AS 2a:FG 2b:RD 2c:RDdb 2d:LD 3a:VPWM 3b:IPWM 3c:PPWM 5a:TPWM 5b:RPWM 6:CL 7a:CS	P1751H12BALBxy-5	12 (08~14)	2.170	1.512	18.14	3500	251.97 7.13	17.31 0.68	57.70	750g (20pcs)	
	P1751M12BALBxy-5		1.560	0.850	10.20	3000	215.97 6.12	12.72 0.50	53.68		
	P1751L12BALBxy-5		0.670	0.540	6.48	2500	179.98 5.10	8.83 0.35	48.93		
	1a:IR 1b:AS 2a:FG 2b:RD 2c:RDdb 2d:LD 3a:VPWM 3b:IPWM 3c:PPWM 5a:TPWM 5b:RPWM 6:CL 7a:CS	P1751Z24BALBxy-5	24 (15~27)	2.131	1.800	43.20	5200	374.35 10.60	38.21 1.50	68.01	750g (20pcs)
		P1751Y24BALBxy-5		2.340	1.200	28.80	4500	323.96 9.17	28.61 1.13	64.24	
		P1751X24BALBxy-5		1.430	0.834	20.02	4000	287.96 8.15	22.61 0.89	61.18	
		P1751H24BALBxy-5		0.980	0.600	14.40	3500	251.97 7.13	17.31 0.68	57.70	
		P1751M24BALBxy-5		0.630	0.420	10.08	3000	215.97 6.12	12.72 0.50	53.68	
		P1751L24BALBxy-5		0.360	0.290	6.96	2500	179.98 5.10	8.83 0.35	48.93	
	1a:IR 1b:AS 2a:FG 2b:RD 2c:RDdb 2d:LD 3a:VPWM 3b:IPWM 3c:PPWM 5a:TPWM 5b:RPWM 6:CL 7a:CS	P1751Z48BALBxy-5	48 (36~57)	1.159	0.875	42.00	5200	374.35 10.60	38.21 1.50	68.01	750g (20pcs)
		P1751Y48BALBxy-5		1.100	0.567	27.22	4500	323.96 9.17	28.61 1.13	64.24	
		P1751X48BALBxy-5		0.710	0.410	19.68	4000	287.96 8.15	22.61 0.89	61.18	
		P1751H48BALBxy-5		0.500	0.298	14.30	3500	251.97 7.13	17.31 0.68	57.70	
		P1751M48BALBxy-5		0.390	0.230	11.04	3000	215.97 6.12	12.72 0.50	53.68	
		P1751L48BALBxy-5		0.200	0.164	7.87	2500	179.98 5.10	8.83 0.35	48.93	

**Remark:**

- Part no. suffix: "xy"=Function detail or "x"=Function number. and "y"=customer ID
- G series - High Performance series:  
Uses a single coil differential type drive with higher efficiency for higher power demanding applications.
- P series - Multifunction Extra High Performance series:  
Uses a single coil differential type drive with higher efficiency and performance, for higher power demanding applications offering the complete line of functions.