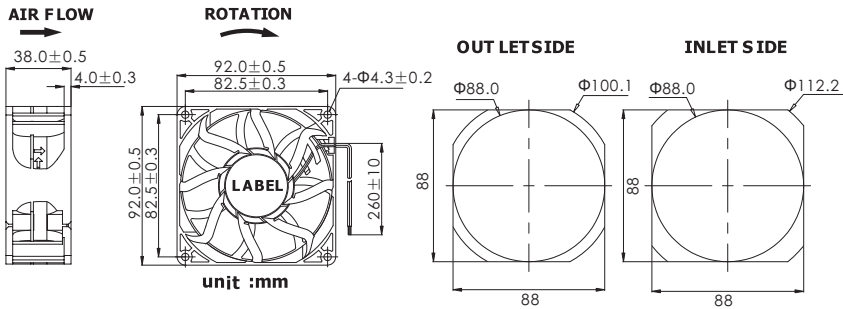
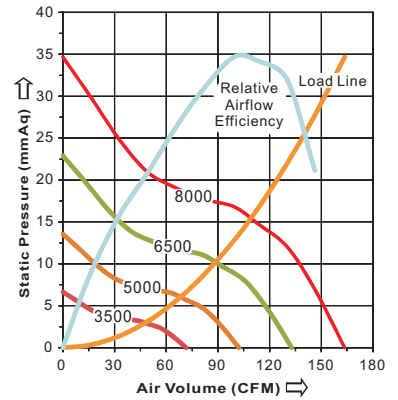


92x92x38mm (3.62x3.62x1.50in) - 7 blade


Bearing System— 2 Ball Bearing
 Life Expectancy— Ball 70000hrs @ 6500RPM @ 30°C
 Frame----- Thermoplastic PBT+30% GF, UL94-V0
 Impeller----- Thermoplastic PBT+15% GF, UL94-V0
 Lead Wire----- UL 1007, AWG 24, 260±10mm, Red(+), Black(-)
 Protection----- Locked rotor protection
 IP Grade ----- IP51, IP54, IP56, IP67



Dim: 553x339x245 mm
 N.W.: 13.5 kgs
 G.W.: 15.0 kgs
 Q'TY: 60 pcs



FUNCTIONS	PART NUMBER	RATED (VDC)	LABEL CURRENT	ACTUAL CURRENT	POWER (WATTS)	SPEED (RPM)	AIRFLOW (CFM)(m³/min)	PRESSURE (mmAq)(In H²O)	NOISE (dBA)	WEIGHT (Q'TY/CTN)	
1b:AS 2a:FG 2b:RD 2c:RDb 6:CL	R9238H12BPLBxy-7	12 (07~14)	1.850	1.560	18.72	6500	132.94 3.76	22.88 0.90	59.10	225g (60pcs)	
	R9238M12BPLBxy-7		0.820	0.640	7.68	5000	102.26 2.90	13.54 0.53	52.20		
	R9238L12BPLBxy-7		0.330	0.292	3.50	3500	71.58 2.03	6.63 0.26	43.00		
		R9238H24BPLBxy-7	24 (15~27)	0.810	0.750	18.00	6500	132.94 3.76	22.88 0.90	59.10	225g (60pcs)
		R9238M24BPLBxy-7		0.430	0.340	8.16	5000	102.26 2.90	13.54 0.53	52.20	
		R9238L24BPLBxy-7		0.170	0.152	3.65	3500	71.58 2.03	6.63 0.26	43.00	
		R9238H48BPLBxy-7	48 (36~57)	0.390	0.351	16.85	6500	132.94 3.76	22.88 0.90	59.10	225g (60pcs)
		R9238M48BPLBxy-7		0.200	0.176	8.45	5000	102.26 2.90	13.54 0.53	52.20	
		R9238L48BPLBxy-7		0.100	0.080	3.84	3500	71.58 2.03	6.63 0.26	43.00	
1a:IR 1b:AS 2a:FG 2b:RD 2c:RDb 2d:LD 3a:VPWM 3b:IPWM 3c:PPWM 5a:TPWM 5b:RPWM 6:CL 7a:CS	K9238H12BPLBxy-7	12 (08~14)	1.850	1.450	17.40	6500	132.94 3.76	22.88 0.90	59.10	225g (60pcs)	
	K9238M12BPLBxy-7		0.820	0.600	7.20	5000	102.26 2.90	13.54 0.53	52.20		
	K9238L12BPLBxy-7		0.330	0.270	3.24	3500	71.58 2.03	6.63 0.26	43.00		
		K9238X24BPLBxy-7	24 (15~27)	1.560	1.200	28.80	8000	163.61 4.63	34.65 1.36	64.50	225g (60pcs)
		K9238H24BPLBxy-7		0.810	0.640	15.36	6500	132.94 3.76	22.88 0.90	59.10	
		K9238M24BPLBxy-7		0.430	0.310	7.44	5000	102.26 2.90	13.54 0.53	52.20	
		K9238L24BPLBxy-7	48 (36~57)	0.170	0.140	3.36	3500	71.58 2.03	6.63 0.26	43.00	225g (60pcs)
		K9238X48BPLBxy-7		0.720	0.615	29.52	8000	163.61 4.63	34.65 1.36	64.50	
		K9238H48BPLBxy-7		0.390	0.320	15.36	6500	132.94 3.76	22.88 0.90	59.10	
	K9238M48BPLBxy-7	48 (36~57)	0.200	0.165	7.92	5000	102.26 2.90	13.54 0.53	52.20	225g (60pcs)	
	K9238L48BPLBxy-7		0.100	0.070	3.36	3500	71.58 2.03	6.63 0.26	43.00		

Remark:

- Part no. suffix: "xy"=Function detail or "x"=Function number. and "y"=customer ID
- R series - STANDARD series:
Uses a 2 coil complementary type drive offering low cost, applicable for higher power demanding applications and have more functions.
- K series - Multifunction Extra High Performance series:
Uses a single coil differential type drive with the highest efficiency and maximum airflow performance with the complete line of functions and with Airflow and Pressure higher than the P series.