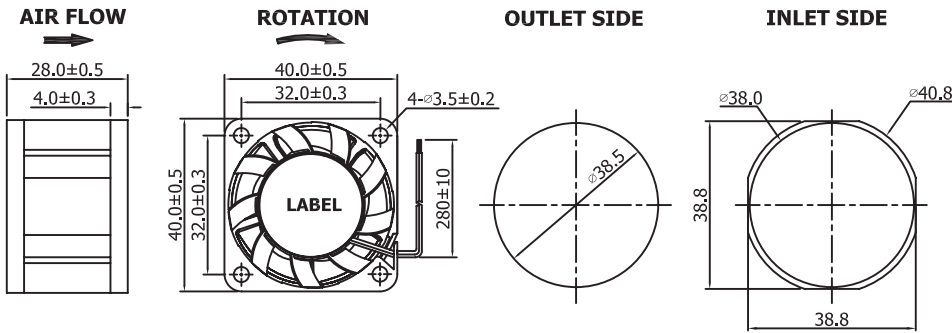
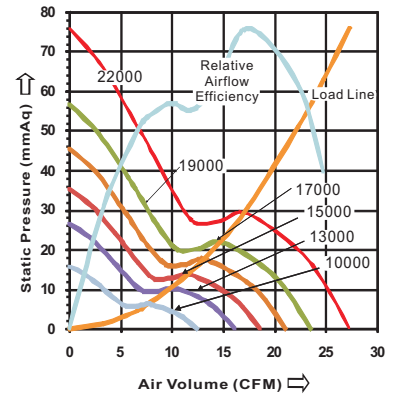


40x40x28mm (1.57x1.57x0.79in) - 5 blade



Bearing System— 2 Ball Bearing
 Life Expectancy— Ball 45000hrs @ 17000RPM @ 30°C
 Frame----- Thermoplastic PBT+30% GF, UL94-V0
 Impeller----- Thermoplastic PBT+15% GF, UL94-V0
 Lead Wire----- UL 1007, AWG 26, 280±10mm, Red(+), Black(-)
 Protection----- Locked rotor protection
 IP Grade ----- IP51, IP54, IP56, IP67



Dim: 500x382x225mm
 N.W.: 19.6 kgs
 G.W.: 21.6 kgs
 Q'TY: 400 pcs



FUNCTIONS	PART NUMBER	RATED (VDC)	LABEL CURRENT	ACTUAL CURRENT	POWER (WATTS)	SPEED (RPM)	AIRFLOW (CFM)(m³/min)	PRESSURE (mmAq)(In H²O)	NOISE (dBA)	WEIGHT (Q'TY/CTN)
1b:AS 2a:FG 2b:RD 3a:VPWM 3c:PPWM	D4028Z12BPLBxy-5	12 (07~13.2)	1.170	1.060	12.72	22000	27.28 0.77	75.61 2.98	60.80	49g (400pcs)
	D4028Y12BPLBxy-5		0.770	0.730	8.76	19000	23.56 0.67	56.39 2.22	56.80	
	D4028X12BPLBxy-5		0.680	0.640	7.68	17000	21.08 0.60	45.15 1.77	55.30	
	D4028H12BPLBxy-5		0.520	0.490	5.88	15000	18.60 0.53	35.15 1.38	51.40	
	D4028M12BPLBxy-5		0.420	0.380	4.56	13000	16.12 0.46	26.40 1.04	47.50	
	D4028L12BPLBxy-5		0.290	0.260	3.12	10000	12.40 0.35	15.62 0.61	40.20	
	D4028Z24BPLBxy-5	24 (15~26.4)	0.572	0.520	12.48	22000	27.28 0.77	75.61 2.98	60.80	49g (400pcs)
	D4028Y24BPLBxy-5		0.355	0.320	7.68	19000	23.56 0.67	56.39 2.22	56.80	
	D4028X24BPLBxy-5		0.280	0.255	6.12	17000	21.08 0.60	45.15 1.77	55.30	
	D4028H24BPLBxy-5		0.210	0.189	4.54	15000	18.60 0.53	35.15 1.38	51.40	
	D4028M24BPLBxy-5		0.155	0.138	3.31	13000	16.12 0.46	26.40 1.04	47.50	
	D4028L24BPLBxy-5		0.093	0.088	2.11	10000	12.40 0.35	15.62 0.61	40.20	

Remark:

- Part no. suffix: "xy"=Function detail or "x"=Function number. and "y"=customer ID
- D series - High Performance series:
 Uses single coil differential type drive with higher efficiency and more functions (depending on the specific model).